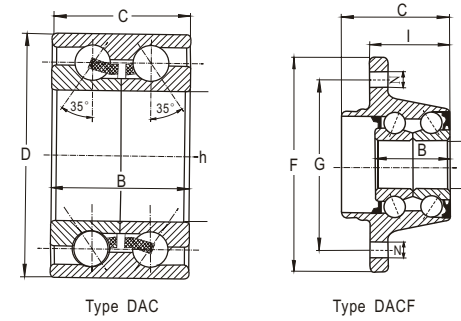


Hub Bearings

The main function of hub bearings is carrying load and guiding hub to rotate accurately. Hub bearings are very important components and they can carry both radial and axial loads. Hub bearing units are developed based on standard angular contact ball bearings and tapered roller bearings. It is light, compact and assembly well.

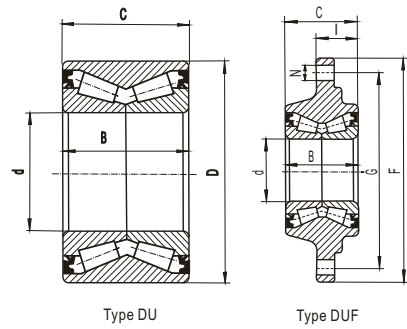
Hub bearings are widely used in automobiles.



Bearing Designations	Boundary Dimensions			
	<i>d</i>	<i>D</i>	<i>B</i>	<i>C</i>
	mm			
DAC3006037	30	60	37	37
DAC300526	30	55	26	26
DAC3406237	34	62	37	37
DAC3406637	34	66	37	37
DAC3406437	34	64	37	37
DAC3506437	35	64	37	37
DAC3506535	35	65	35	35
DAC3506637	35	66	37	37
DAC3506837	35	68	37	37
DAC3506633	35	66	33	33
DAC3906837	39	68	37	37
DAC3507234	35	72	34	34
DAC3707237	37	72	37	37
DAC3807038	38	70	38	38
DAC3807450	38	74	50	50
DAC3906837	39	68	37	37
DAC3907237	39	72	37	37
DAC4007537	40	75	37	37
DAC4808030	40	80	30.2	30.2
DAC4008240	40	82	40	40
DAC4007237	40	72	37	37
DAC4207639	42	76	39	39
DAC4208439	42	84	39	39
DAC4207537	42	75	37	37
DAC4208237	42	82	37	37
DAC4208236	42	82	36	36
DAC4308237	43	82	37	37
DAC4508237	45	82	37	37

Bearing Designations	Boundary Dimensions						
	<i>D</i>	<i>F</i>	<i>B</i>	<i>C</i>	<i>G</i>	<i>N</i>	<i>I</i>
	mm						
DACF2714873	27	148	55	73	114.3	12.5	57.5
DACF3012679	30	126	59	79	100	14	62.5
DACF3013666	30	136	40	66	100	12.1	54.5
DACF3112061	31	120	40	61	100	12	42
DACF3513774	35	137	45	74	110	12	49
DACF3614071	36	140	50	71	114.3	14	57
DACF3713964	37	139	45	64	120	12	45

hub bearings
redirection bearings

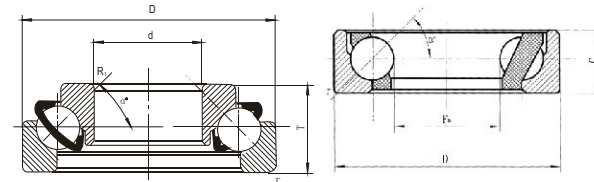


Type DU

Type DUF

Bearing Designations	Boundary Dimensions			
	<i>d</i>	<i>D</i>	<i>B</i>	<i>C</i>
	mm			
DU2505237	25	52	37	37
DU3506437	35	64	37	37
DU3906837	39	68	37	37
DU4207639	42	76	39	39
DU5008454	50	84	54	54

Bearing Designations	Boundary Dimensions						
	<i>D</i>	<i>F</i>	<i>B</i>	<i>C</i>	<i>G</i>	<i>N</i>	<i>I</i>
	mm						
DUF5515254	55	152	54	54	126	14	38.5
DUF5816762	58	167	62	62	140	14	41.2



Type 560000

Type KOW-560000

Redirection Bearings

Because of the angle existing between the plate of ball center and the line of raceway contact point, the bearing can carry combined loads in radial and axial direction. In addition, the limited speeding is higher but loading capacity is less.

Bearing Designations	Boundary Dimensions				
	<i>d</i>	<i>D</i>	<i>T</i>	<i>r_s</i> min	<i>r_{1s}</i> min
	mm				
569304	20	47	16	1	1
567404X3	20	52	16	1	1.5
567404	20	52	15	1	1.5
569305	25	52	16	1.1	1
569305X2	25	52	15	1	1
567405X3	25	62	18	2	1
569306	30	60	18	1.1	2

Bearing Designations	Boundary Dimensions			
	<i>d</i>	<i>D</i>	<i>T</i>	<i>r_s</i> min
	mm			
KOW-5617/15.2	15.2	35	10.5	1.5
KOW-5617/19.8	19.8	38.1	7.9	1
KOW-5617/20.3TN1	20.3	44	12	1.5
KOW-5617/22.1TN1	22.1	48	13.5	1.5
KOW-5617/25.6	25.6	46	9	1
R7202BX1	15.2	38	11	0.6